



MANUAL



PUSH SWITCH DELAY-OFF TIMER RECEIVER MODULE WBR-2203

AC and Voltage free output receiver module with delay-off timer (0s, 1s, 5s, 30s, 60s).

Compatible with standard wired Push Switch.

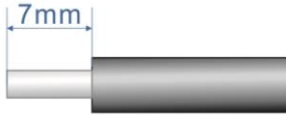
Transform electric device(s) to wireless control with receiver module working in conjunction with ARC wireless remote control and at the same time keeping the existing wired wall switch.

Compact size especially designed to fit into standard wall box.

32 memories, first in first out storage maintain.

Installation – Wiring

- Strip wires at least 7mm then connect the wires as per diagrams below, ensure terminals are properly tightened and no bare wire is visible.
- Suitable wire size for terminal is 1.6mm² to 2mm²

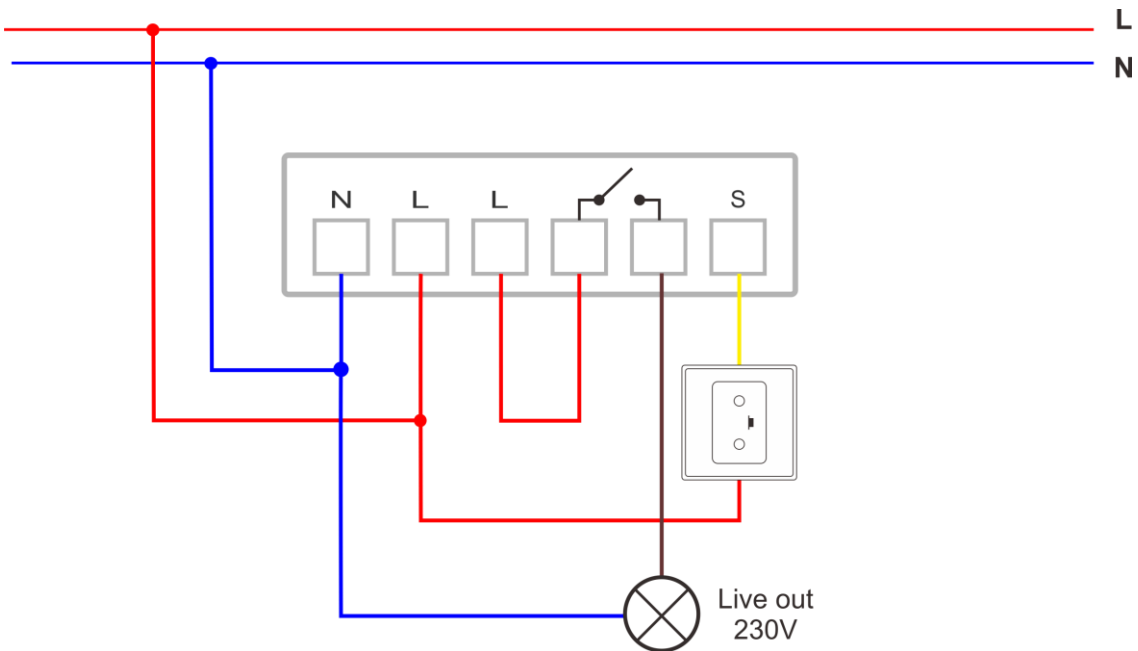


To install module into wall box, break off the mounting tabs.

⚠ Cut off main power before installing and wiring.



1. AC (230V / 50Hz) Output Wiring:

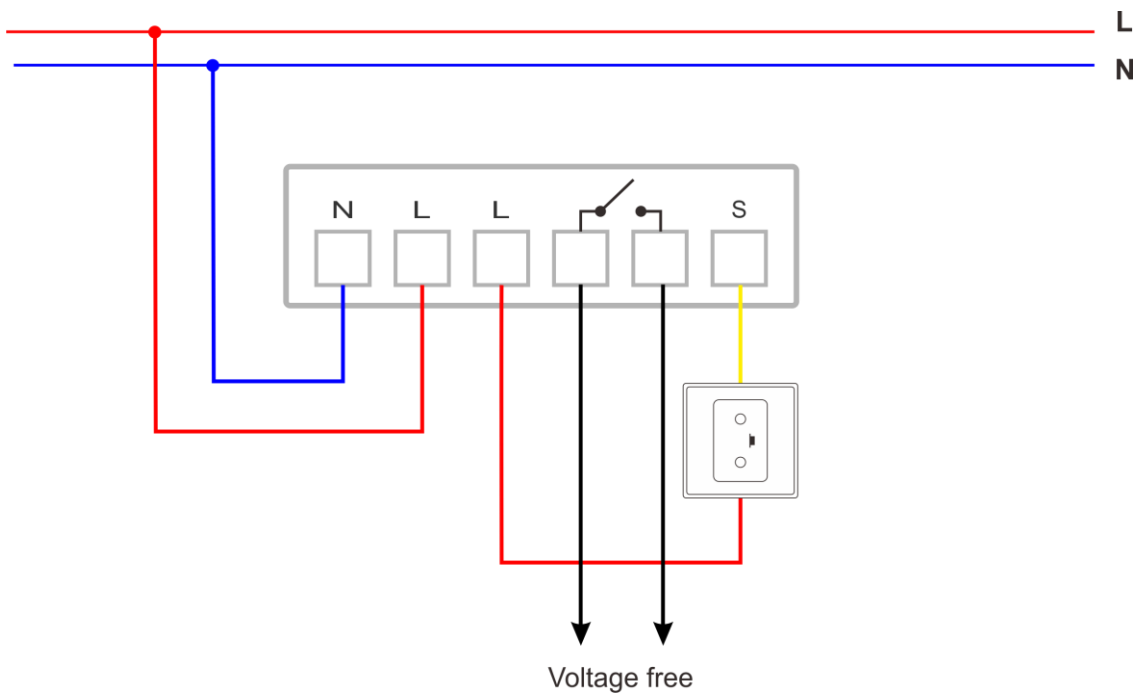


Input AC230V / 50Hz

Output 2300W resistive load

✳ **Compatible to push switch only.**

2. Voltage Free (dry port) Wiring:



Input AC230V / 50Hz

Output Voltage free (dry port)

※ **Compatible to push switch only.**

Pairing / Un-pairing

With ARC remote control

PAIRING

Pairing using **LEARNING MODE**:

1. Press '**Learn**' button once (LED on module will flash), this will enter learning mode.
2. With a remote control press the '**ON**' button; LED on module will flash twice to confirm that the remote control is now paired.

NOTE: If no signal is received from a remote control within 12 seconds then the module will automatically exit learning mode without pairing the device.

To exit learning mode manually, simply press the '**Learn**' button again.

UN-PAIRING

Removing single Device:

1. Press '**Learn**' button once (LED on module will flash), this will enter learning mode.
2. With a remote control press the '**OFF**' button intended to be un-paired; LED on module will flash twice to confirm that the remote control is un-paired.

CLEARING ALL MEMORY

Removing all memory stored in the module.

1. On the module hold down the '**Learn**' button for 6 seconds, LED on module will flash.
2. Release button then press again, this will remove all memory stored in the module.

Timer Setup

5 Timer Selections: A / B / C / D / E

Type	Turn Off	Number of LED flash
A	Manual On/Off	1
B	After 1s	2
C	After 5s	3
D	After 30s	4
E	After 60s	5

Setup Procedure:

1. Initial factory pre-set setting is in Type 'A'
2. On the module hold down the '**Timer**' button for 3 seconds, LED on module will flash, this will enter the '**Timer**' setup.
3. Press the 'Timer' button again and each press will lead up to the next type 'B → C → D → E'
4. Once you have chosen the delay-off timer type hold down the '**Timer**' button for 6 seconds and release button until you see the LED flash to confirm.
5. Timer setup last for 10 seconds, if no confirmation is given to the module, module will automatically exit setup.

Operation

You can control in conjunction with ARC remote control and wired push switch. Each time you turn ON or OFF the module, the number of LED flash will represent the timer you've setup in.

Operation via Push Switch

Manual ON / OFF

Press button once to turn ON

Press button again to turn OFF

With Delay Timer

Press button once to turn ON*

*Depending on the timer you've setup in, the receiver device will turn OFF after the chosen time.

Operation via Remote Control

Manual ON / OFF

Press '**ON**' button once to turn ON

Press '**OFF**' button once to turn OFF

With Delay Timer

Press '**ON**' button once to turn ON*

*Depending on the timer you've setup in, the receiver device will turn OFF after the chosen time.

Example: Timer setup in Type 'C' (delay-off after 5 seconds / LED flash 3 times)

With the remote control, turn ON receiver device: LED on module will flash 3 times and at the same time the timer countdown will start. After reaching 5 seconds the receiver device will turn OFF automatically.

※ During the 5 seconds countdown, you can only manually turn OFF receiver device, turning ON the receiver device is not allowed only until the timer stops.

Specifications

Input Rating:	230V~50Hz
Output Rating:	1. AC Output 2300W Resistive Load 2. Voltage Free (Dry port)
Radio Frequency:	433.92MHz
Power consumption:	<1W
Environment Temperature: Range:	0-40 °C up to 50 m indoors (Depends on building materials)
In accordance with:	Low Voltage Directive 2014/35/EU RED Directive 2014/53/EU
CE Certification:	The CE marked affixed to this product confirms its compliance with the European Directives which apply to the product and in particular its compliance with the harmonized standards and specifications.



Dimension (L x W x H)	48 x 48 x 25mm
Weight:	20 g

NOTE

- When inserting module into back box make sure excess wires do not cover module's back side. This may reduce the performance of radio transmission.
- During standby mode, LED on module will not illuminate.